

Rf650

Professional High Immunity PIR

INSTALLATION INSTRUCTIONS



THANK YOU FOR VOTING TEXECOM

Ask your distributor today for the new Telexcom full colour Product Guide.

Telexcom

www.texe.com

INS 126-5

QUALITY ASSURANCE



WARRANTY

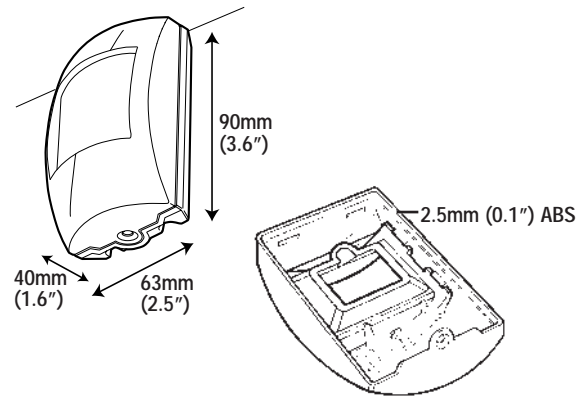
10 year replacement warranty.

The Rf650 is designed to detect the movement of an intruder and activate an alarm control panel. As the Rf650 is not a complete alarm system, but only a part thereof, Telexcom cannot accept responsibility or liability for any damages whatsoever based on a claim that the Rf650 failed to function correctly.

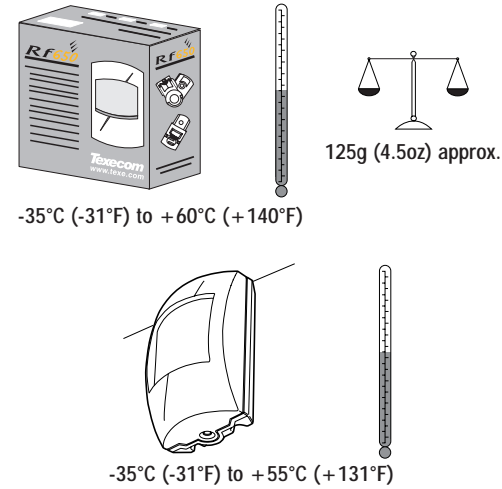
Due to our policy of continuous improvement Telexcom reserves the right to change specification without prior notice. All specifications are measured at 20°C (68°F).

Document Ref: Rf650/EU/1.0-5
© 1994 - 2004 Telexcom Ltd

1 PHYSICAL



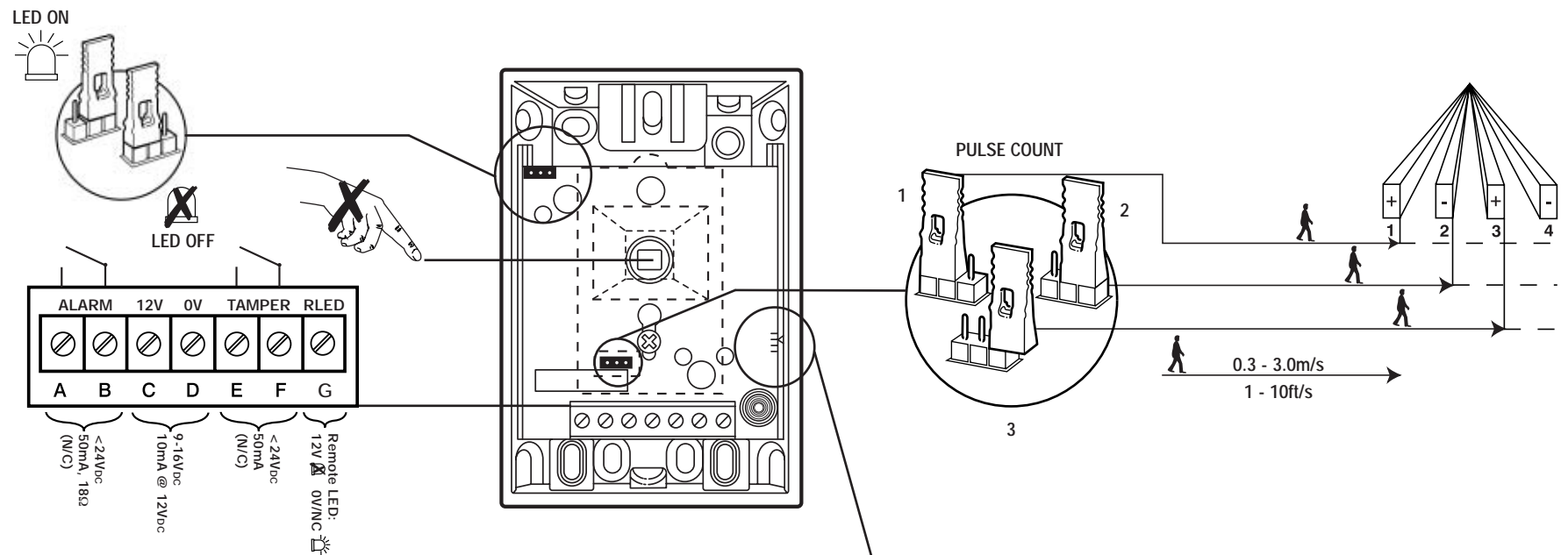
2 ENVIRONMENTAL



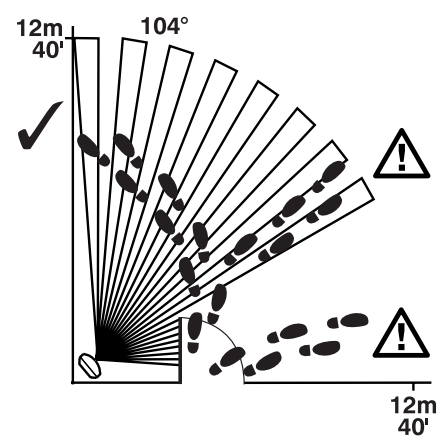
3 FALSE ALARM PROTECTION

- Design:** Noise reduction circuits with maximum ground plane. Intruder Confirmation Circuitry (ICC™).
- RF Immunity:** No false alarms at 200V/m due to digital telephone disturbances, tested to DD ENV 50204 : 1996, at 900MHz. No false alarms from 80MHz to 1GHz at 65V/m modulated, equivalent to a 1200W uniform transmitter at 3m (10ft). Complies with BS EN 61000-4-3 : 1997.
- Electrostatic Discharge:** No false alarm up to 8kV. Complies with BS EN 61000-4-2 : 1995.
- Fast Transient Immunity:** No false alarm up to ±4kV. Complies with BS EN 61000-4-4 : 1995.
- High Energy Transient Immunity:** No false alarm up to ±2kV. Complies with BS EN 61000-4-5 : 1995.
- Conducted RF Susceptibility:** No false alarms at 10Vrms. Complies with BS EN 61000-4-6 : 1996.
- Conducted Emissions:** Complies with EN 55022 Class B.
- Radiated Emissions:** Complies with EN 55022 Class B.
- EMC:** Independently certified to EN 50130-4 : 1996.
- Pulse Count:** Adjustable Adaptive Pulse Count. Internal link to select.

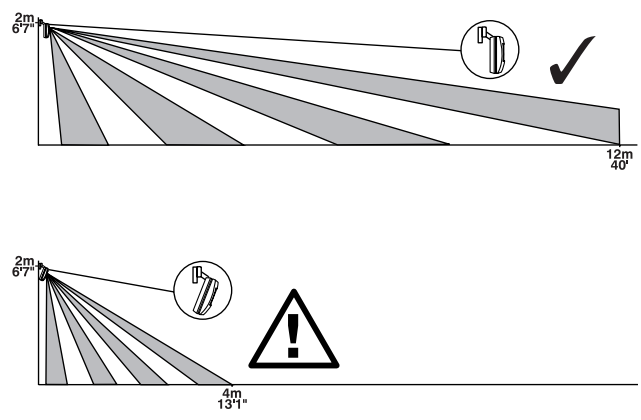
4



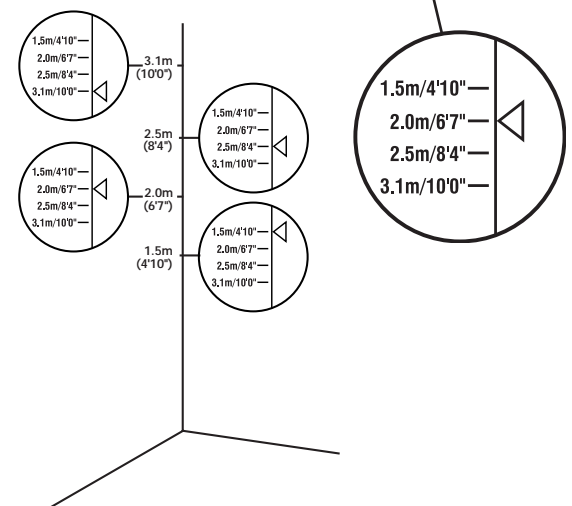
5 COVERAGE AND PICK-UP



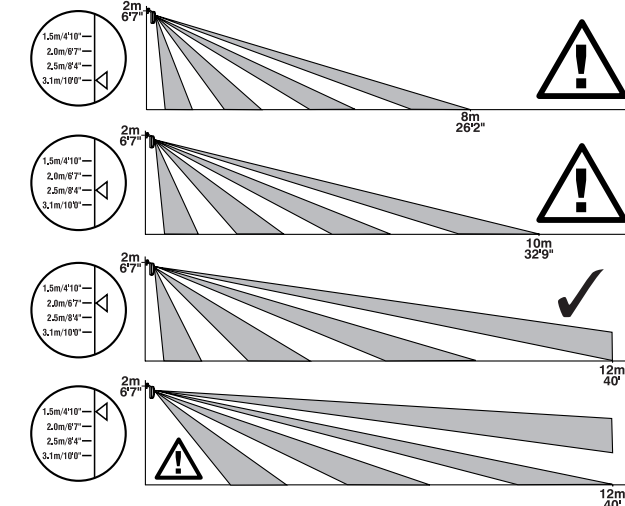
6 ANGLING THE DETECTOR



7 MOUNTING HEIGHT AND SETTINGS

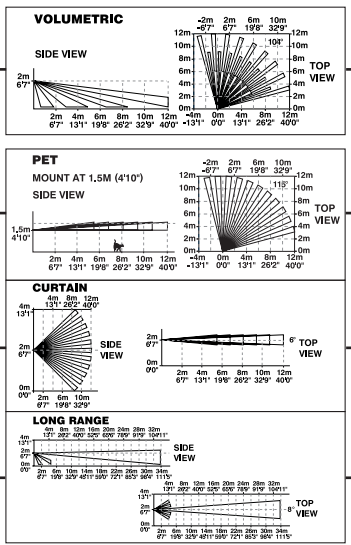


8 COVERAGE AT 2m

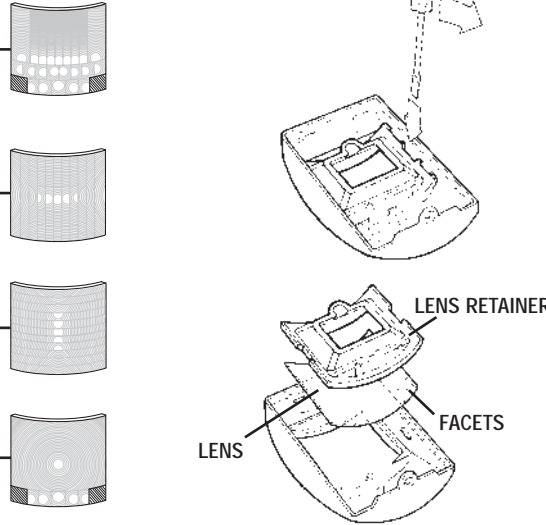


9 LENS SELECTION

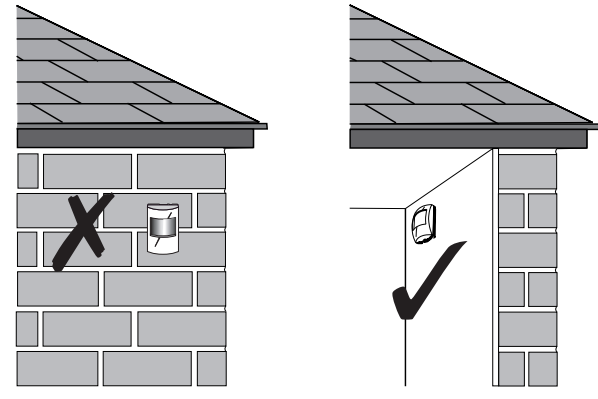
See Mounting Height Diagram (Section 7)



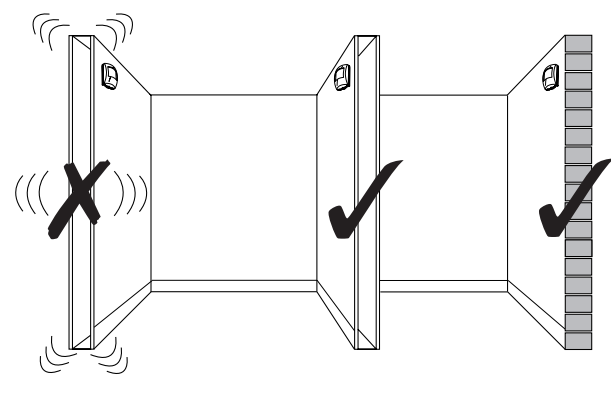
10 CHANGING LENSES



11 MOUNTING THE Rf650 For indoor use only

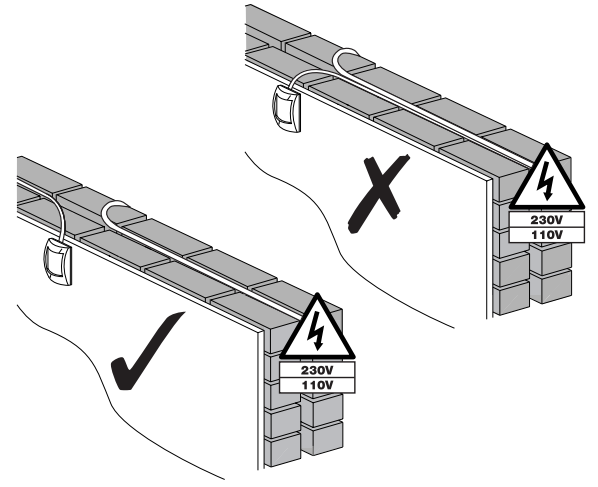


12 MOUNTING THE Rf650 Mount on a stable surface



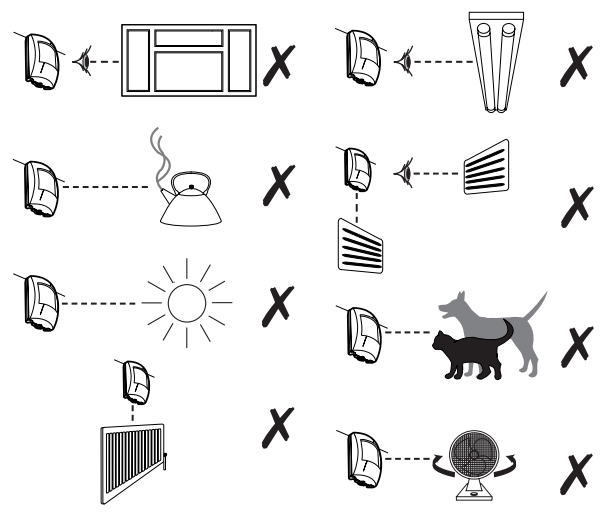
13 WIRING

Do not run cable parallel to mains wiring

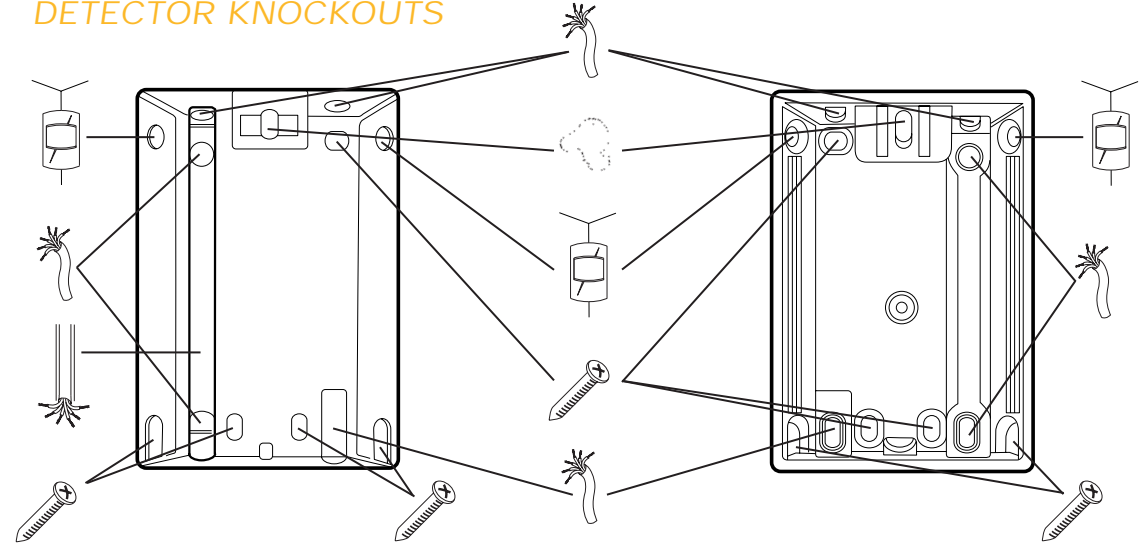


14 CHOOSING A LOCATION

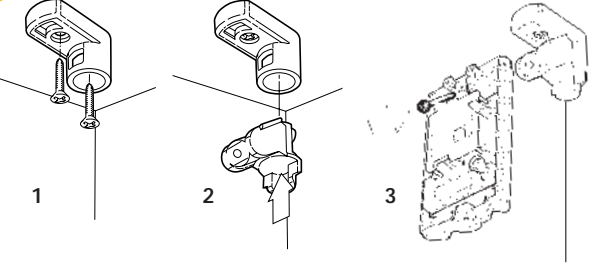
Avoid common false alarm sources



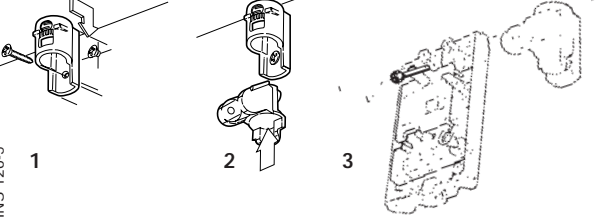
15 DETECTOR KNOCKOUTS



16 CEILING MOUNT BRACKET



17 WALL MOUNT BRACKET



18 MOUNTING WITHOUT BRACKETS

